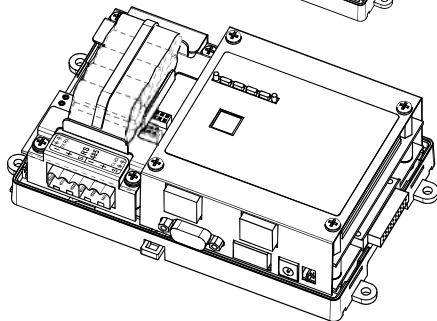
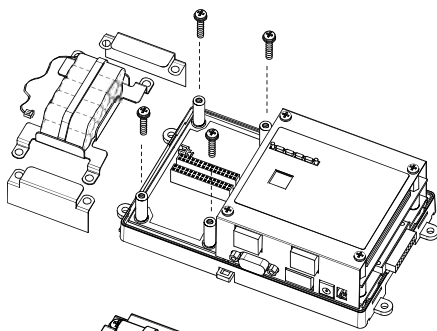


# JENE-PC-485

## JENE-PC SERIES OPTION CARD

### PRODUCT DATA SHEET



## Overview

The JENEsys® JENE-PC-485 communication module is a dual-port, optically isolated RS-485 adapter card with two 3-position, screw-terminal connectors for a JENE-PC series controller. Up to 2 JENE-PC-485 cards may be installed on one JENE-PC series controller. The JENE-PC-485 card can be installed in either Option Slot 1 or 2 on a JENE-PC series controller.

The four LEDs are visible on the top of the JENE-PC-485 card (cover must be removed from the JENE-PC series controller). The label on the JENE-PC-485 end-plate notes these four LEDs as “RX” and “TX”. The four LEDs described are as follows:

- **RX (green)**: Receive, indicates that JENE-PC series controller is receiving data from a device connected on the RS-485 trunk.
- **TX (yellow)**: Transmit, indicates that the JENE-PC series controller is sending data to a device connected on the RS-485 trunk.

## Technical Data

### COMMUNICATION

- Two-wire RS-485 communication.

### WIRING

- Connect to an RS-485 multipoint network using one of the 3-position, screw terminal connectors using shielded 18-22 AWG wiring. Screw terminals are minus (-), plus (+), and shield (S).

## Ordering Information

MODEL #	DESCRIPTION
JENE-PC-485	JENE-PC Series RS-485 Communication Module - <b>Made in the USA</b>



JENEsys® is a registered trademark of LynxSpring, Inc.  
 Niagara Framework® is a registered trademark of Tridium, Inc.  
 © 2015 LynxSpring, Inc. All Rights Reserved. 07-2015

[www.lynxspring.com](http://www.lynxspring.com)  
 1210 NE Windsor Drive, Lee's Summit, MO 64086  
 877-649-5969 | [sales@lynxspring.com](mailto:sales@lynxspring.com)