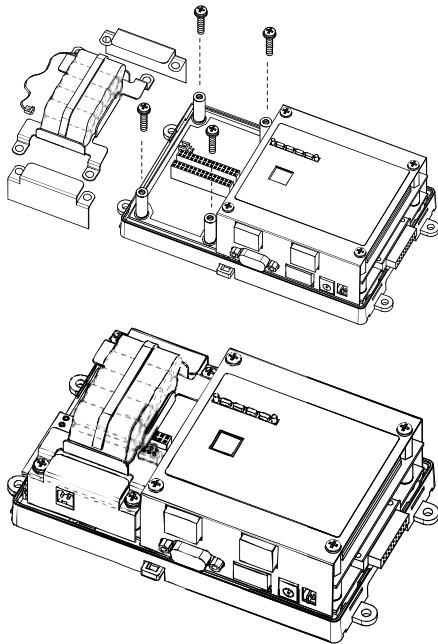


JENE-PC-LONCARD

JENE-PC SERIES OPTION CARD

PRODUCT DATA SHEET



Overview

The JENEsys® JENE-PC-LONCARD communication module is a LonWorks® FTT-10A adaptor with a 2-position removable screw-terminal connector plug option card for a JENE-PC series controller. The JENE-PC-LONCARD can be installed in either Option Slot 1 or 2 on a JENE-PC series controller.

The LEDs are visible on the top of the JENE-PC-LONCARD (cover must be removed from the JENE-PC series controller). The two LEDs described are as follows:

- **RX (green):** Receive, indicates that another LonWorks® device is transmitting a message.
- **TX (yellow?):** Transmit, indicates that the JENE-PC series controller is transmitting a message on the LonWorks® Trunk.

Technical Data

COMMUNICATION

- LonWorks® FTT-10A, 78k baud

WIRING

- Connect the LonWorks® FTT-10 communication wiring to the 2-position connector of the JENE-PC-LONCARD. Note that polarity is not a factor in FTT-10 wiring.

Ordering Information

MODEL #	DESCRIPTION
JENE-PC-LONCARD	JENE-PC Series LonWorks® Communication Module - Made in the USA



JENEsys® is a registered trademark of LynxSpring, Inc.
 Niagara Framework® is a registered trademark of Tridium, Inc.
 © 2015 LynxSpring, Inc. All Rights Reserved. 07-2015

www.lynxspring.com
 1210 NE Windsor Drive, Lee's Summit, MO 64086
 877-649-5969 | sales@lynxspring.com