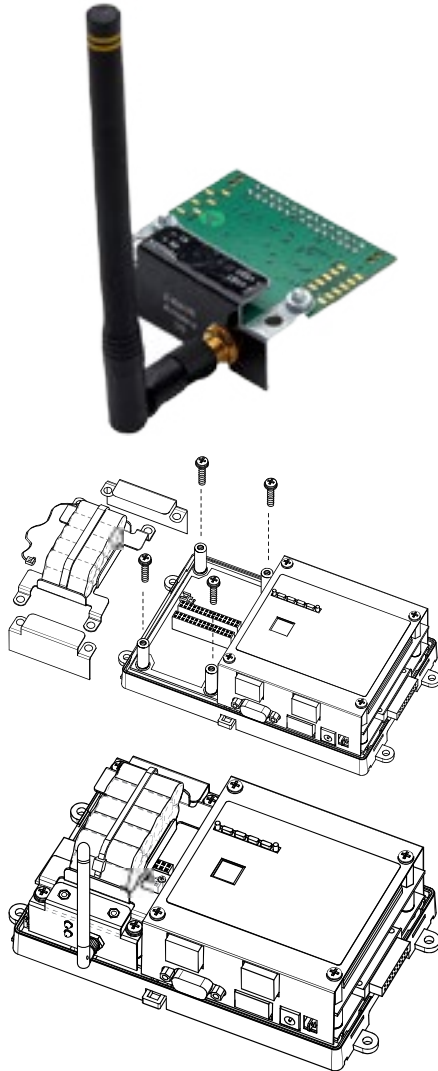


JENE-PC-ZWAVE

JENE-PC SERIES OPTION CARD

PRODUCT DATA SHEET



Overview

The JENEsys® JENE-PC-ZWAVE communication module is a portfolio of hardware, software and tools designed to monitor and control Z-Wave devices. It allows users to use Z-Wave technology to create a wireless, two-way mesh network. This mesh network enables complete control of compatible devices throughout the building from a single, JENE-PC series controller running Niagara AX version 3.5 or higher.

With a JENE-PC-ZWAVE option card installed, a JENE-PC series controller will act as a secondary Z-Wave controller. Primary Z-Wave controllers will be required to address Z-Wave devices. Then the process of replication transfers the Z-Wave network topology from the primary controller to the Z-Wave secondary controller.

The JENE-PC-ZWAVE communication module allows rapid installation and control of home/small commercial automation systems of lighting, temperature control and security.

Features

- Plugs into standard JENE-PC series option card slot
- All necessary power is supplied by the JENE-PC series controller
- Device integration follows the standard Niagara AX architecture
- Diagnostic indicator LEDs provide for visual indication of operation
- Stub antenna included. Optional antenna extension cable available for remote mounting of antenna

Specifications

- Data transfer with 40 kbps on 904.42 MHz (US)
- Data transfer with 40 kbps on 868.42 MHz (EU)
- High sensitivity of -94 dBm type
- -3 dBm maximum output power, programmable over 23 dB range
- Standard temperature range -200°C to 700°C (on request -400°C to 850°C)
- 32k Flash and 2k RAM Memory
- FCC and ETSI Certified

Ordering Information

MODEL #	DESCRIPTION
JENE-PC-ZWAVE-US	JENE-PC Series Z-Wave Option Card for North America.
JJENE-PC-ZWAVE-EU	JENE-PC Series Z-Wave Option Card for Europe.
Z-WAVE-CBL-EXT	Optional 2 meter extension cable with the mounting brackets to extend the antenna to boost the Z-Wave signal strength.



JENEsys® is a registered trademark of LynxSpring, Inc.
 Niagara Framework® is a registered trademark of Tridium, Inc.
 © 2015 LynxSpring, Inc. All Rights Reserved. 07-2015

www.lynxspring.com
 1210 NE Windsor Drive, Lee's Summit, MO 64086
 877-649-5969 | sales@lynxspring.com